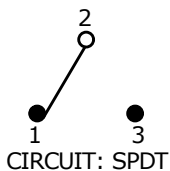
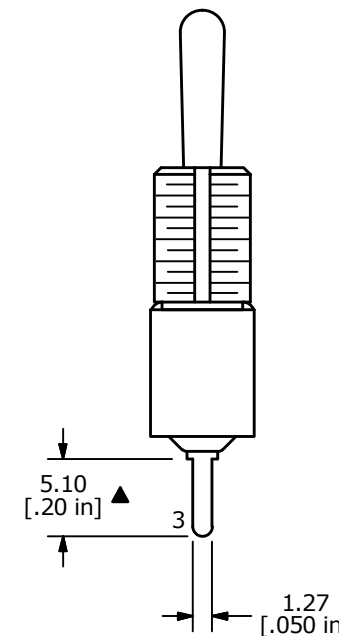
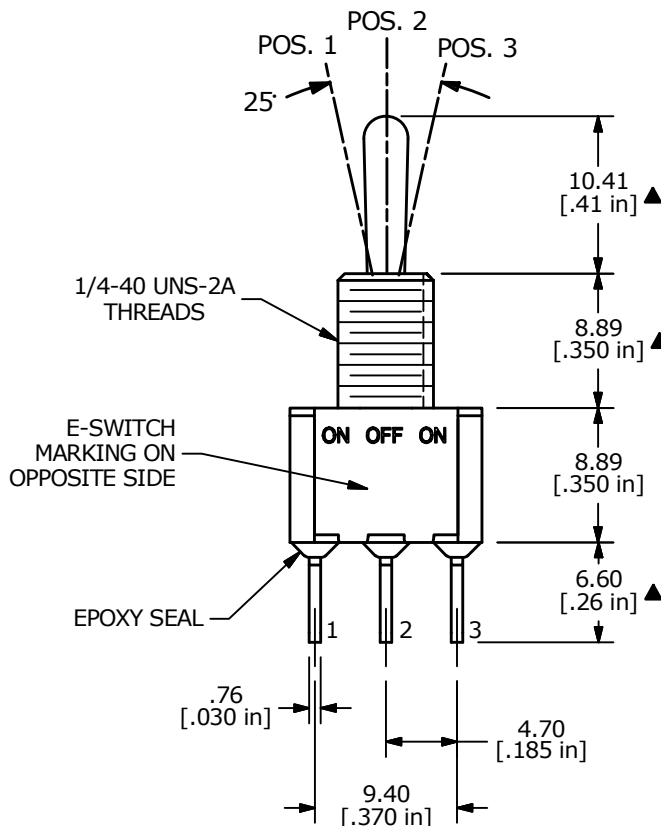


SWITCH FUNCTION		
POS. 1	POS. 2	POS. 3
ON	OFF	ON
2-3	OPEN	2-1



- NOTE:
1. ALL DIMENSIONS IN MM [INCH]
 2. GENERAL TOLERANCE: X.X = ±0.4
X.XX = ±0.25
 3. TERMINAL NUMBERS FOR REF ONLY
 - ▲ 4. PLATING MATERIAL: SILVER
 5. RATING: 5A @120VAC OR 28VDC
2A @250VAC
 6. ELECTRIC LIFE: 40,000 MAKE-AND-BREAK CYCLES AT FULL LOAD.
 7. INSULATION RESISTANCE: 1,000 MEGA-OHM MIN.
 8. DIELECTRIC STRENGTH: 1,000 V RMS @SEA LEVEL.
 9. OPERATING TEMP.: -30°C to 85°C
 10. ▲ DENOTES CRITICAL PARAMETER.



E	23842	updated and showed 5.10mm dim.	4/8/19	MW
D	17199	FIXED TERM TO 6.6, NOTES	4/18/2007	TN
C	14721	REDRAWN	2/24/05	AR
REV	PCR NO	DESCRIPTION	DATE	BY



TITLE 100SP3T1B1M2QE				
SCALE 2:1	DATE 4/18/2007	DR TN	DWG T113013	REV E